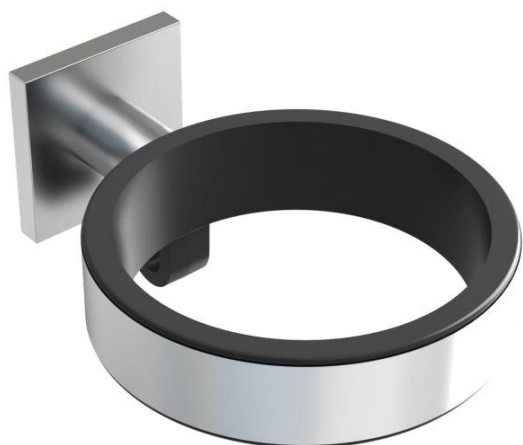




866951

Clipper/Brittony anti-theft wall support

Wall-mounted Clipper / Brittony anti-theft mounts for locking the electric cable of Clipper / Brittony hair dryers.



PRODUCT PLUSES

- 2-in-1: anti-theft solution and support.
- Possibility of locking the power cord to the chrome wall support

866951

Clipper/Brittony anti-theft wall support

SPECIFICATIONS

Material	Zinc
Colour	Chrome
Shaver socket	Without

ELECTRICAL

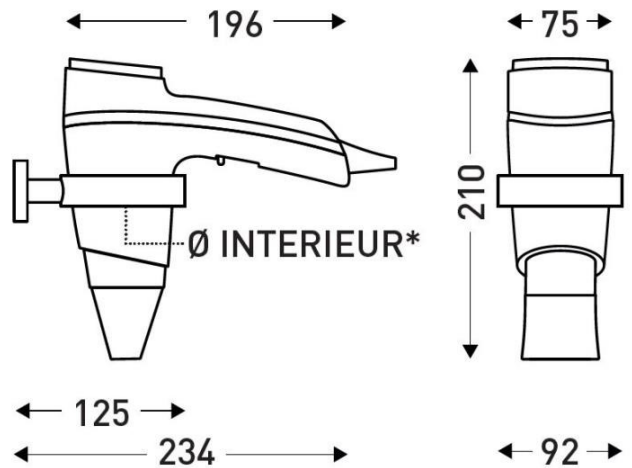
DIMENSIONS

Height (mm)	53
Width (mm)	95
Depth (mm)	125
Weight (kg)	.27
Diameter (mm)	68

BOX DIMENSIONS

Height (mm)	65
Width (mm)	140
Depth (mm)	105
Weight (kg)	.31

TECHNICAL DRAWING



* \emptyset INTERIEUR DU SUPPORT MURAL : 75 MM

