



8661651

Celeste illuminated magnifying mirror

Celeste illuminated round mirror with tubular chrome brass arm with 2 lighting options: warm or cold white



PRODUCT PLUSES

- 2 lighting options: warm or cold white
- Magnifying reflection x3
- SmarTech® Blue touch sensor



8661651

Celeste illuminated magnifying mirror

SPECIFICATIONS

Material	Brass
Colour	Chrome
With light	Yes
Magnifying reflection	X3
Timeout (s)	900
Automatic switch-off	Yes
Arm type	Tubular Arm

ELECTRICAL

Voltage	220-240V
Detection type	Capacitive
ON/OFF switch	Yes

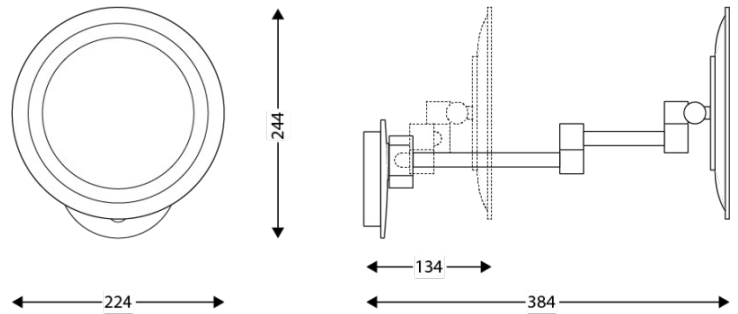
DIMENSIONS

Height (mm)	244
Width (mm)	224
Depth (mm)	384
Weight (kg)	1.65
Diameter (mm)	224

BOX DIMENSIONS

Weight (kg)	1.4
-------------	-----

TECHNICAL DRAWING



CE CB



JVD France • JVD Spain • JVD Singapore • JVD Mexico
jvd.fr jvd.es jvd.com.sg jvd.mx

JVD
PRODUCTS
THAT
CARE