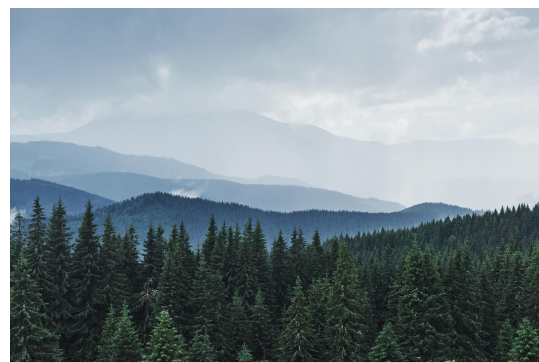




811378

Hand dryer - Ouragan chrome

Ouragan automatic hot-air chrome-plated hand dryer with a 360° swivel nozzle and a vandal resistant steel cover.



PRODUCT PLUSES

- Hot air
- Nozzle pivots 360°
- Anti-vandalism (steel cover)
- Can easily replace an existing hand dryer

811378

Hand dryer - Ouragan chrome

SPECIFICATIONS

Material	Steel
Colour	Chrome
Heating element	Yes
Drying time (s)	20-30s
Sound level (dB) (1m in front of the appliance)	78
Air flow rate (m ³ /h)	270
Air outlet temperature (°C)	60
Safety in case of malfunction	Yes
Filter	No
Vandal-safe	Yes

ELECTRICAL

Rated Power (W)	2500
Voltage	220-240V
Frequency (Hz)	50
Standby power consumption (W)	.1
Detection type	Infrared
Type of motor	Brushed AC

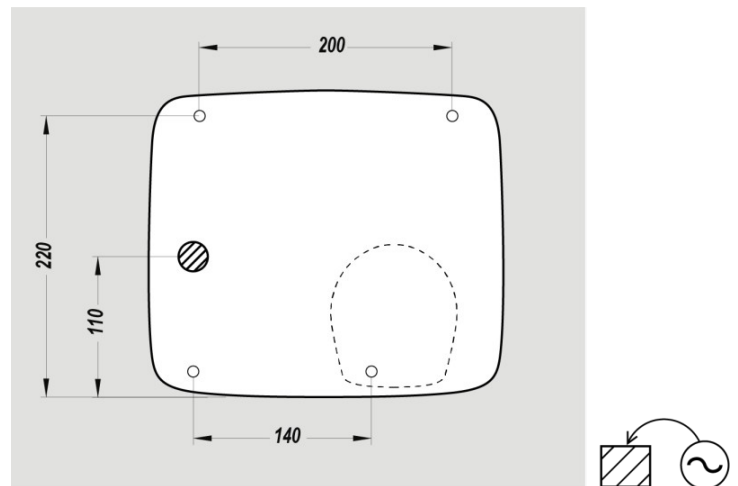
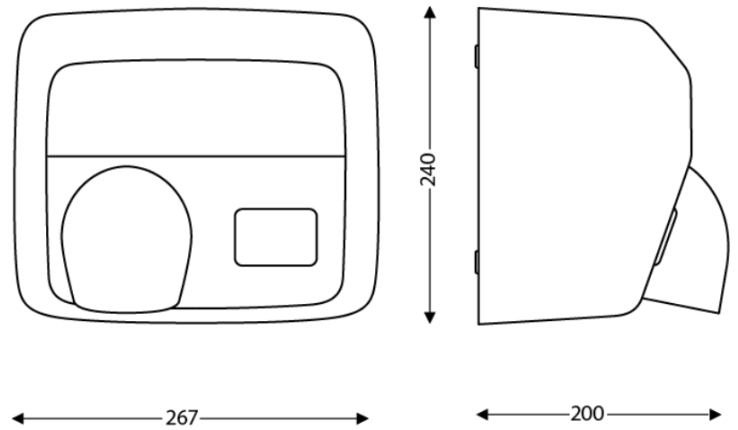
DIMENSIONS

Height (mm)	240
Width (mm)	267
Depth (mm)	200
Weight (kg)	5.53

BOX DIMENSIONS

Height (mm)	240
Width (mm)	310
Depth (mm)	270
Weight (kg)	5.81

TECHNICAL DRAWING



RECOMMENDED INSTALLATION HEIGHTS

- Men installation height (cm) : 130
- Women installation height (cm) : 125
- Children installation height (cm) : 120
- Disabled person installation height (cm) : 100

