



8111167

Copt'Air pulsed air hand dryer white

White Copt'Air hand dryer with low power consumption and anti-vandalism (aluminum cover). Ultra fast drying with its rotating nozzle. Designed for intensive use.



PRODUCT PLUSES

- 100% new drying sensations with a cyclonic effect
- 65% more economical than competitors' models
- 100% Anti-vandalism: aluminium or stainless steel cover



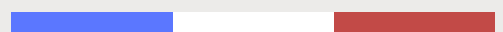
ECO-FRIENDLY

- Low power consumption
- 25% recycled plastic
- 75% less carbon emissions compared to paper
- 1 hygiene kit sent to the Philippines via Better With Water association



10 YEARS REPAIRABLE

MADE IN FRANCE



8111167

Copt'Air pulsed air hand dryer white

SPECIFICATIONS

Material	Aluminum
Colour	White
Drying time (s)	10-15s
Sound level (dB) (1m in front of the appliance)	80
Outlet air speed (m/s)	90
Air flow rate (m ³ /h)	130
Air outlet temperature (°C)	40
Safety in case of malfunction	Yes
Filter	Anti-bacterial filter (Option)
Vandal-safe	Yes
Drying zone lighting	Yes

ELECTRICAL

Rated Power (W)	600
Voltage	220-240V
Frequency (Hz)	50
Standby power consumption (W)	2.2
Detection type	Infrared
Motor speed (rpm)	24000
Type of motor	Brushed AC
Motor lifetime (number of operations)	350000

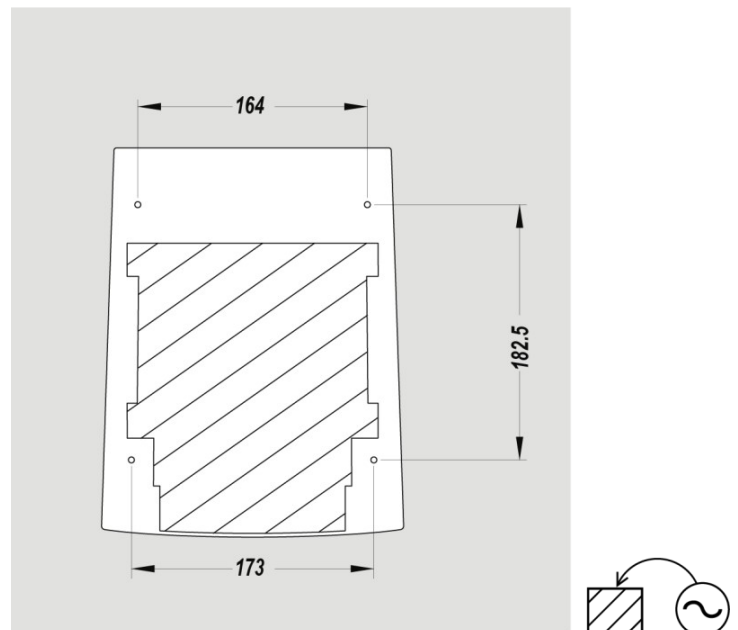
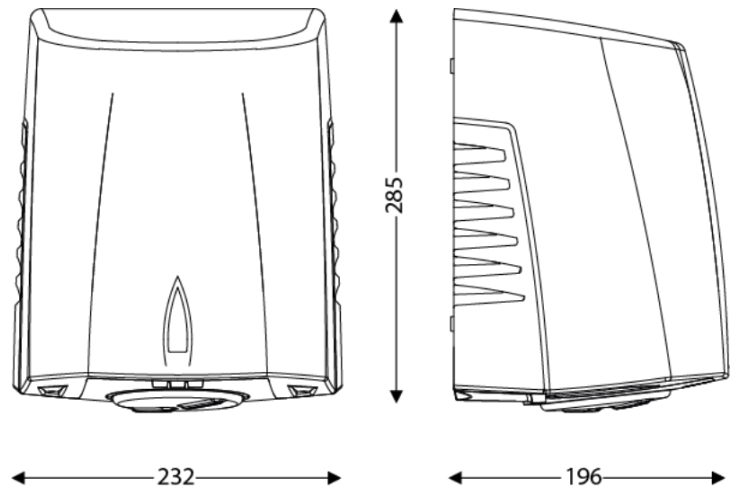
DIMENSIONS

Height (mm)	285
Width (mm)	232
Depth (mm)	196
Weight (kg)	4.36

BOX DIMENSIONS

Height (mm)	205
Width (mm)	295
Depth (mm)	240
Weight (kg)	4.51

TECHNICAL DRAWING



RECOMMENDED INSTALLATION HEIGHTS

- Men installation height (cm) : 130
- Women installation height (cm) : 125
- Children installation height (cm) : 120
- Disabled person installation height (cm) : 100

